

IR Micro Office 6m

DALI-2 APC - concealed
 EAN 4007841 067151
 Article number 067151



Infrarot-Sensor 360°



Max. 4 x 4 m Präsenz



Einstellungen via App



Vernetzbar via Bluetooth



DALI-2



Plastikfreie Verpackung



Energie sparen

5 years

Herstellergarantie
 steinel-professional.de/
 garantie



CE

Function description

Slim, precise and intelligent. Demanded by architects and planners, made by STEINEL. The IR Micro Office fulfils many wishes. Its low installation height makes it perfect for applications where no disruptive installations on the ceiling are desired. The micro precision lens measures just 15 x 15 mm. The 360° infrared presence detector covers 36 m². As a DALI-2 single master application controller, it controls up to 20 DALI devices in broadcast mode. In this way, it offers optimal lighting management for individual room solutions, including constant light control. Settings and networking are easily realised via Bluetooth Mesh.

Technical specifications

Dimensions (Ø x H)	85 x 37 mm	Mounting height max.	5,00 m
With motion detector	Yes	Optimum mounting height	2,8 m
Manufacturer's Warranty	5 years	Detection angle	360 °
Settings via	Bluetooth	Angle of aperture	90 °
With remote control	No	Sneak-by guard	Yes
Version	DALI-2 APC - concealed	Capability of masking out individual segments	Yes
PU1, EAN	4007841067151	Electronic scalability	No
Type	Presence detector	Mechanical scalability	Yes
Application, place	Indoors	Reach, radial	4 x 4 m (16 m ²)
Application, room	Indoors, one-person office, function room / ancillary room, conference room / meeting room, duty room, recreation room, kitchenette	Reach, tangential	6 x 6 m (36 m ²)
Colour	white	Reach, presence	4 x 4 m (16 m ²)
Colour, RAL	9003	Switching zones	168 switching zones
Includes corner wall mount	No	Abdeckmaterial Lieferumfang	shrouds
Installation site	ceiling	Functions	Semi-/fully automatic, Lighting scenario, Manual ON / ON-OFF, Normal / test mode, Neighbouring

IR Micro Office 6m

DALI-2 APC - concealed
 EAN 4007841 067151
 Article number 067151



Technical specifications

Installation	Concealed wiring, Ceiling
IP-rating	IP20
Ambient temperature	-25 – 55 °C
Material	Plastic
Mains power supply	220 – 240 V / 50 – 60 Hz
Number of Dali users	20
Steuerausgang, Dali	Broadcast 1x20 electronic ballasts
With bus coupling	No
Technology, sensors	passive infrared, Light sensor
Mounting height	2 – 5 m

group function, TouchDIM function, Motions sensor, Constant-lighting control, Light sensor, Adjustable fade time when switching on and off, Constant-lighting control ON-OFF, Presence function, Presence detector logic

Twilight setting	2 – 1000 lx
Time setting	5 s – 60 Min.
Basic light level function	Yes
Basic light level function time	10s-60 min, all night, Brightness-controlled, OFF
Main light adjustable	0 - 100 %
Twilight setting TEACH	Yes
Constant-lighting control	Yes
Interconnection	Yes
Interconnection via	Bluetooth Mesh Connect
Type DALI output	Single-Master

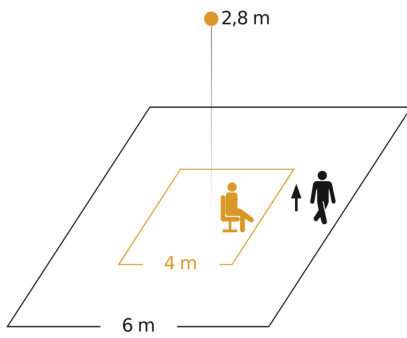
Accessories

EAN 4007841 084653	Wireless push button PB2-Bluetooth
EAN 4007841 084660	Wireless push button PB4-Bluetooth

IR Micro Office 6m

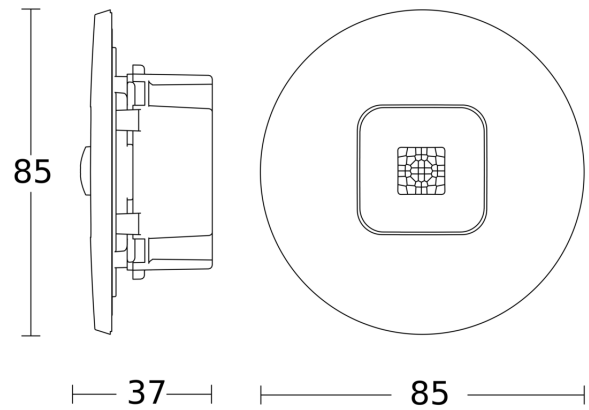
DALI-2 APC - concealed
EAN 4007841 067151
Article number 067151

Detection Zone



Possible mounting height: 2,00 m - 5,00 m
Orange: presence
Black: tangential

Dimension Drawing



Circuit diagram

